

# MACHINE SAFETY GUARDING

AS/NZS 4024 compliant.  
CMSE® certified personnel.

Mainstream Engineering (MEL) is a multidiscipline engineering design and project management consultancy. We pride ourselves on delivering effective, safe, value adding solutions that are backed up by our prompt service.

Keep your staff safe with our guarding solutions. Older machinery or those not designed to New Zealand standards commonly require additional guarding. Our professional engineers can objectively assess your machinery, identify hazards, evaluate the risks and recommend the best solution.

For almost 20 years MEL has been designing and building machine guarding solutions for a wide range of situations. Our industrial engineering experience has given us a strong reputation for effectively addressing your requirements.

MEL's skilled team use an industry proven system to identify appropriate risk management solutions that comply with AS/NZS 4024. We can assess an entire plant, selected areas or individual machines. Our scope of supply can be tailored to suit your needs.



## Services

- Hazard identification with MEL's systematic procedure
- Risk assessment to prioritise hazards
- Design of the appropriate solution
- Manufacture of custom or standard guards
- Installation on site
- Monitoring to ensure continued compliance



For more information or to organise a consultation go to  
[www.mainstreameng.co.nz](http://www.mainstreameng.co.nz)

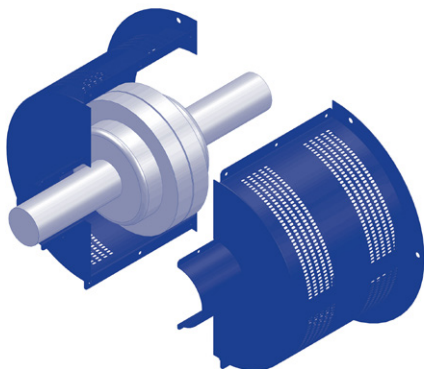
# MACHINE SAFETY GUARDING

MEL's knowledge of operational and maintenance requirements ensures you get a guarding solution that is both functional and cost effective.

As professional engineers, we provide objective assessments and clear recommendations on how best to address any machine guarding issues while also complying with AS/NZS 4024.

With our industry backgrounds, systematic approach and consultative process, we deliver clients fit-for-purpose solutions.

Our experienced team can deliver the entire guarding solution. Alternatively we can provide the hazard identification and risk assessment to which other stages can be added to meet your business needs.



[www.cmse.com](http://www.cmse.com)

MSG-210630



## Hazard identification

A practical and objective assessment of your machinery using a systematic procedure to identify the hazards.



## Risk assessment in accordance with AS/NZS 4024

A consultative process where identified hazards are risk rated and prioritised using a standards-based scoring method.



## Design

Developing the right solution. Helping you clearly visualise the final product.



## Manufacture

Fabrication of the relevant guards. These can be galvanised, painted or stainless steel to suit your plant.



## Installation

MEL installs your solution on site ensuring quality control at every step.



## Monitoring

Regular monitoring and review of control measures to ensure continued effectiveness and compliance.



For more information or to organise a consultation go to [www.mainstreameng.co.nz](http://www.mainstreameng.co.nz)