



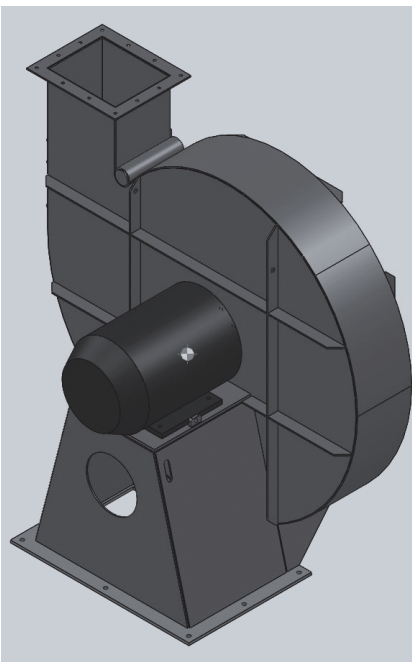
INDUSTRIAL FANS

Design, supply and installation of ASEL industrial air movement and handling solutions.

Mainstream Engineering (MEL) is a multidiscipline engineering design and project management consultancy. We pride ourselves on delivering effective, safe, value adding solutions that are backed up by our prompt service.

For over 40 years we've been designing and building solutions for every type of industrial air handling need - from combustion air systems to industrial heating and drying, ventilation, dust extraction and pneumatic conveying.

MEL's fully engineered industrial solutions are used throughout New Zealand and are supported by our technical experts. We use our proven design process to deliver optimised performance for new and existing systems.

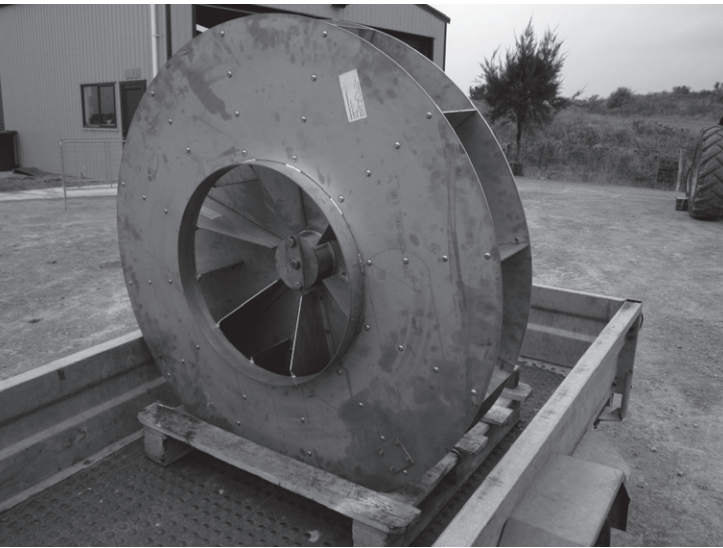


Services

- Design and manufacture of ASEL fans
- Industrial radial and axial flow fans
- Cyclones
- Diverter valves and dampers
- Driers
- Ducting systems
- Ventilation
- Flow-measurement aerofoils
- Heat exchangers
- Pneumatic conveying systems
- Product and dust capture
- Mist elimination and separation
- Rotary valves



For more information or to organise a consultation go to www.mainstreameng.co.nz



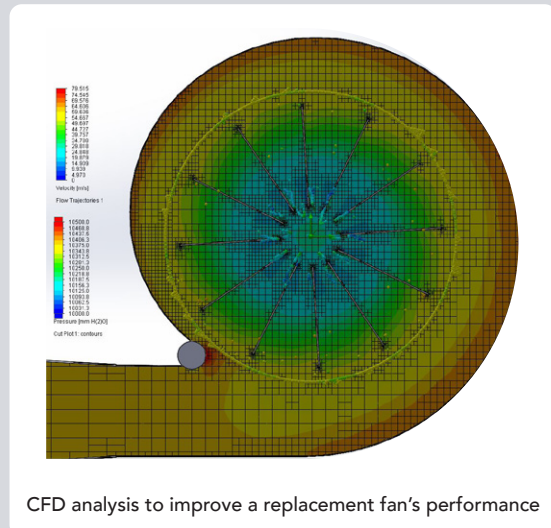
Optimised design

Our design process ensures you get the best solution. Every step is focused on improving performance resulting in:

- Optimised heat transfer
- Optimised ventilation
- Reduced fluid flow losses

Modelling and analysis

Using computer modeling and CFD analysis, MEL can deliver the right solution first time.



Technical support

We're known for our excellent support and strong technical solutions. MEL's analysis, monitoring and troubleshooting services include:

- Fan curve plotting and analysis
- Air flow and pressure measurement
- Critical speed and resonance analysis
- CFD (computational fluid dynamics)
- Analysis of liquid and gas flow and heat-transfer conditions
- Temperature measurements and data logging from -200 to 1260°C
- Humidity measurement and data logging

IF-210630



For more information or to organise a consultation go to www.mainstreameng.co.nz